

**RAM**  
SOLUTIONS, INC.

**UNIVER**<sup>®</sup>  
www.univer-group.com



Sold and Supported by  
RAM Solutions, Inc.

**Servo Pivot**

www.ramsolutions.com

# Advantages of Servo Power Pivot

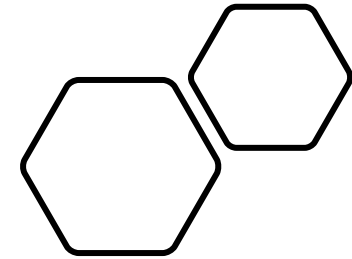
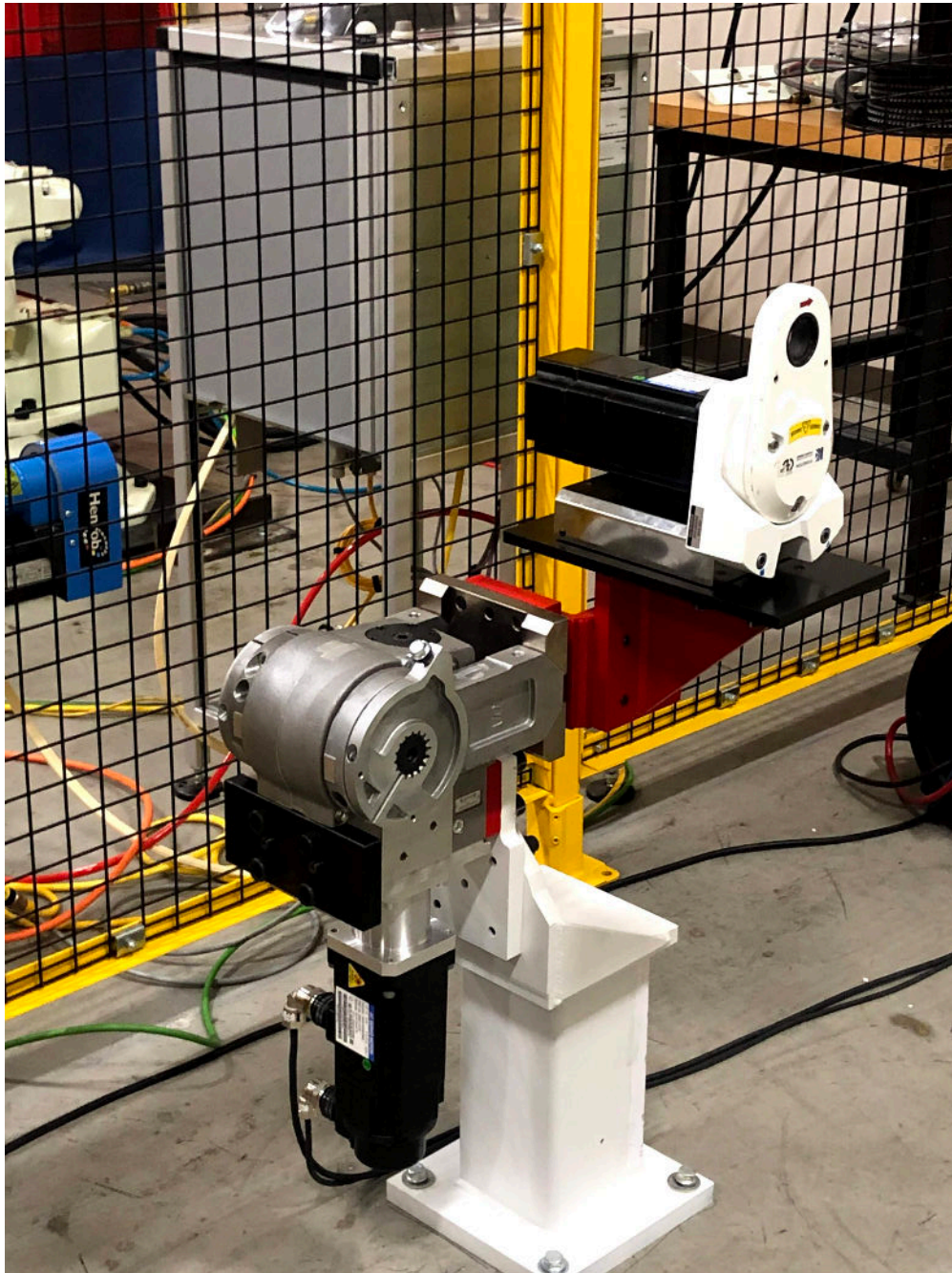
---

- This Pivot was designed to replace the Destaco/UNIVER 125, 160 and 200 series Pneumatic Power Pivots.

## Advanced Features:

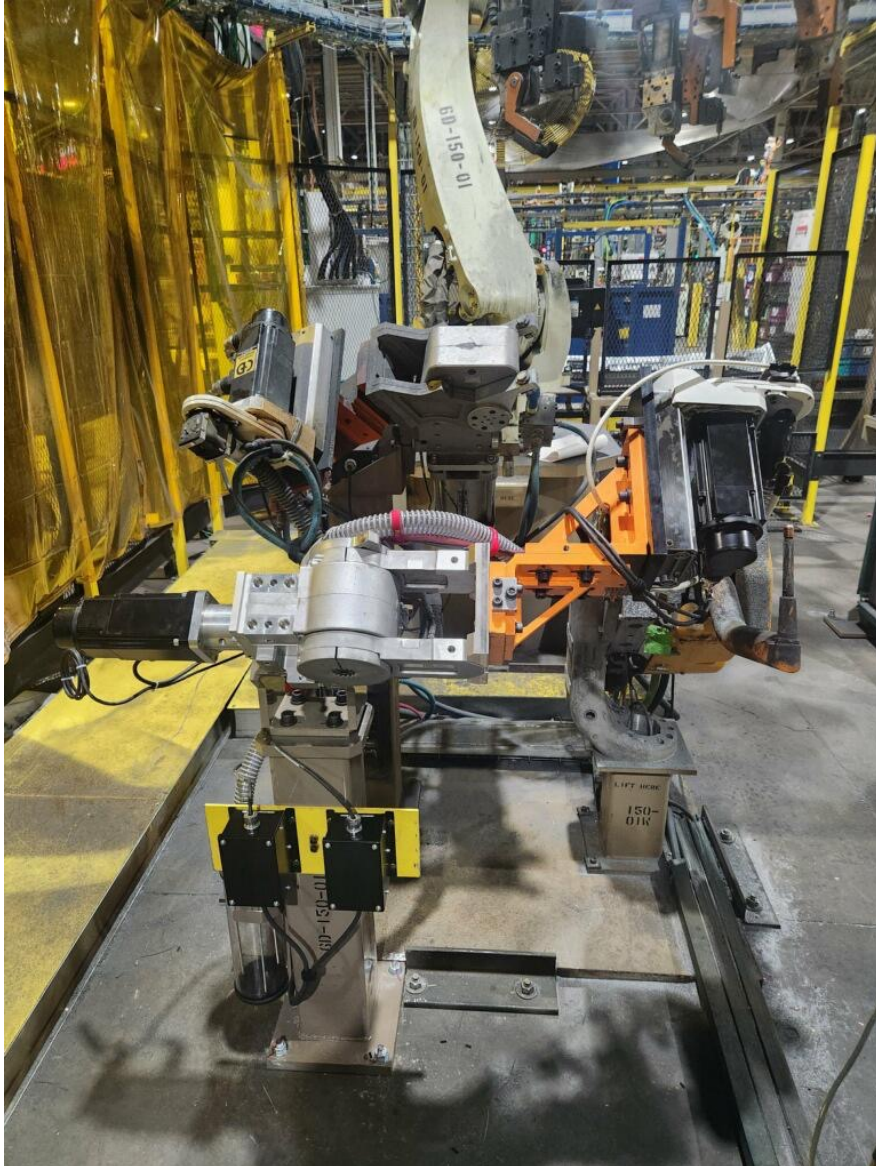
- ***No Stored or trapped air!***
- Servo motion is controlled Entirely by Robot Software
- Speed is controlled by Robot Software, ensures no fast acceleration.
- Safer for operators to enter cell, unit is mechanically held by gearing and Motor brake.
- Manual Allen override ensure safer recovery from a crash.
- Cycle time can be controlled by Robot Software.
- Zero to 135 Degree openings, all fully programmable.
- Only one spare unit reduces Inventory.





UNIVER Servo Pivot installation  
at Kawasaki Wixom

**UNIVER**<sup>®</sup>  
[www.univer-group.com](http://www.univer-group.com)



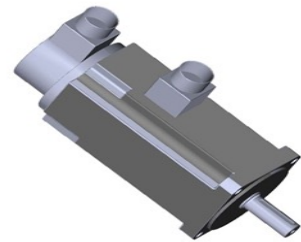
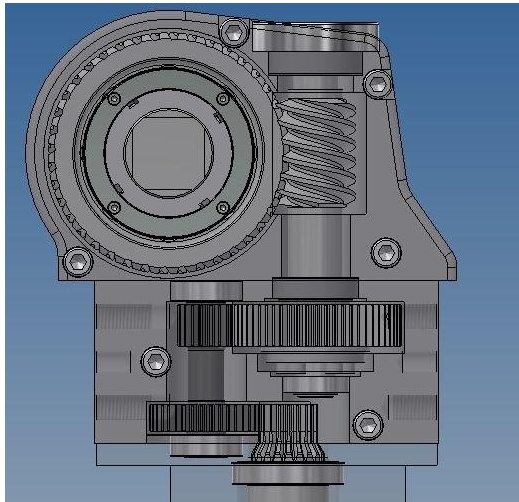
Actual Plant trial validation

**UNIVER**<sup>®</sup>  
[www.univer-group.com](http://www.univer-group.com)



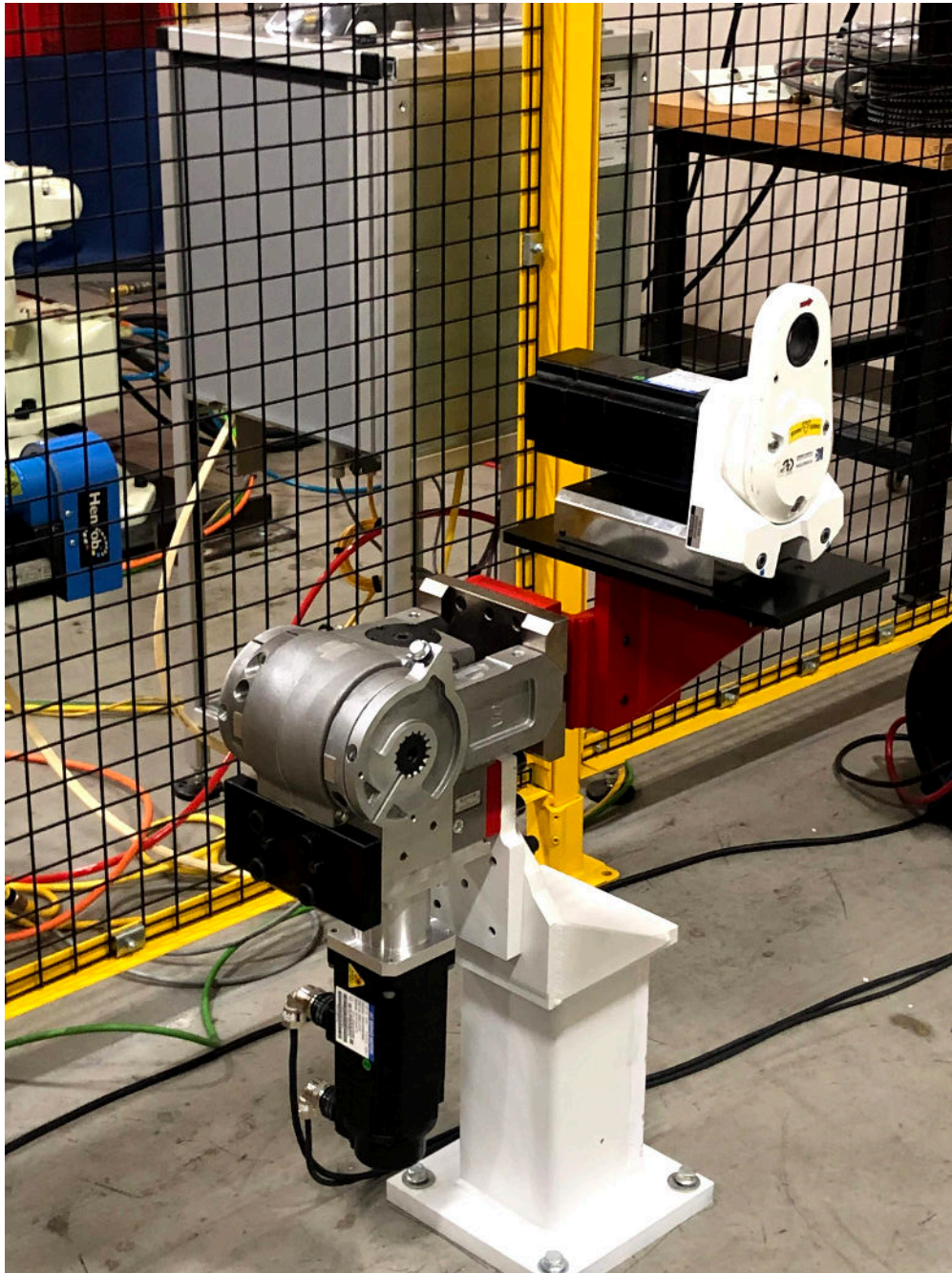
Fanuc Servo Motor with Brake option

# UNIVER Servo Pivot Utilizing the Kawasaki Motor



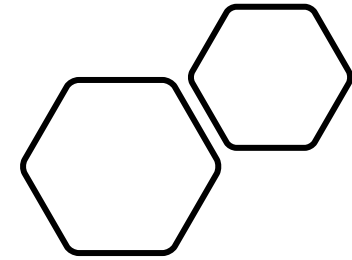
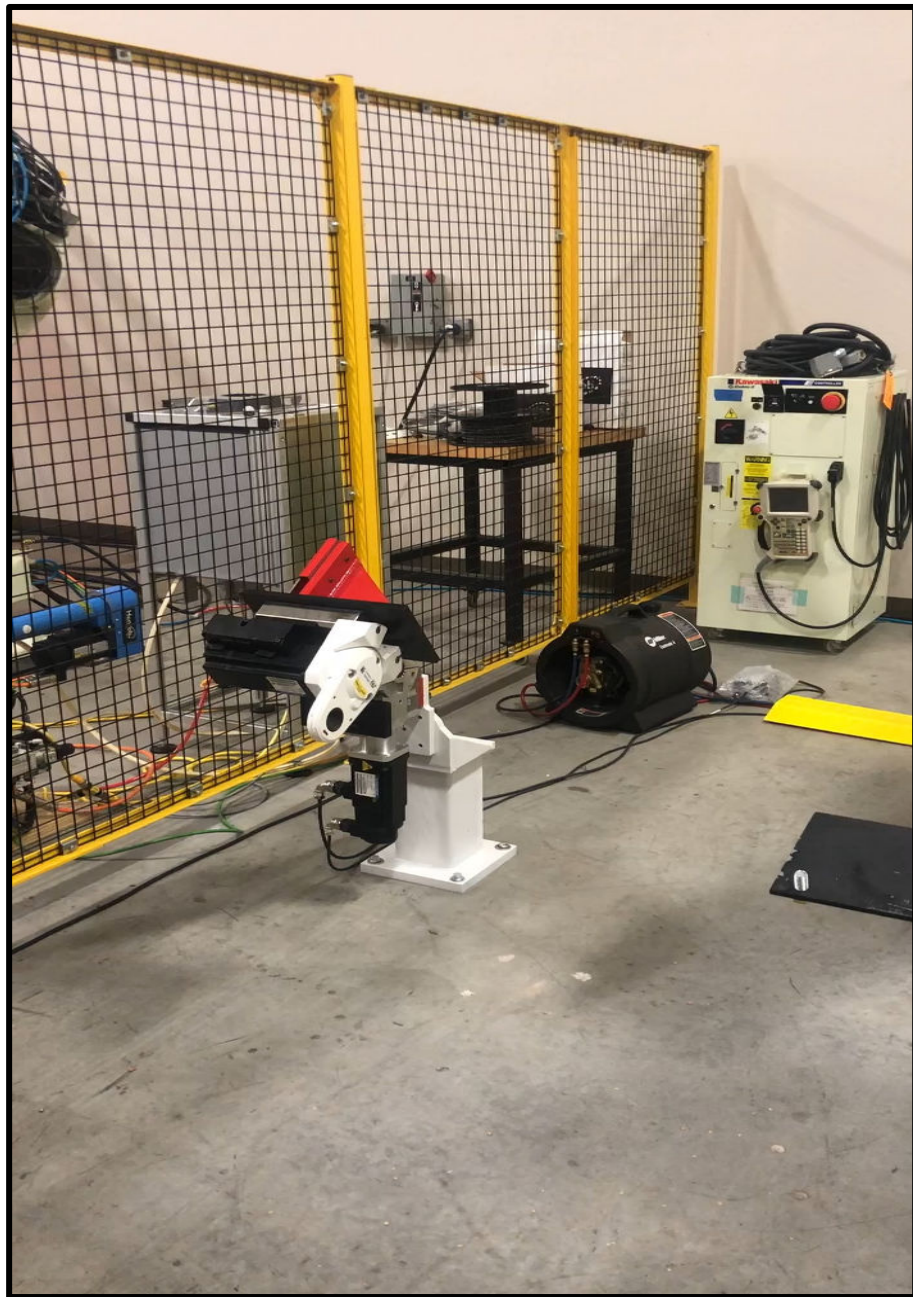
Kawasaki 2 KW Servo Motor with Brake:  
R2AA1020AFCPKB

**UNIVER**<sup>®</sup>  
[www.univer-group.com](http://www.univer-group.com)



UNIVER Servo Pivot installation  
at Kawasaki Wixom

**UNIVER**<sup>®</sup>  
[www.univer-group.com](http://www.univer-group.com)



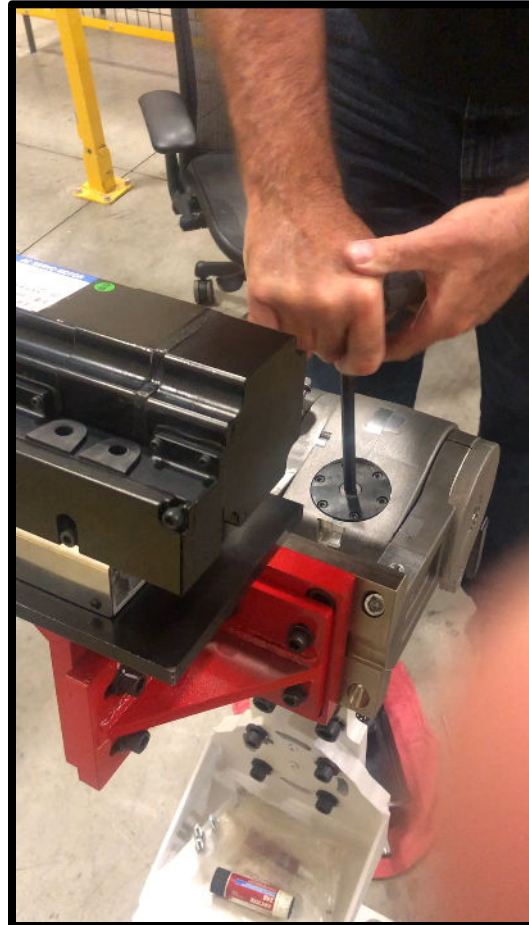
## UNIVER Servo Pivot installation at Kawasaki Wixom

Video of full motion and E stop

**UNIVER**<sup>®</sup>  
[www.univer-group.com](http://www.univer-group.com)



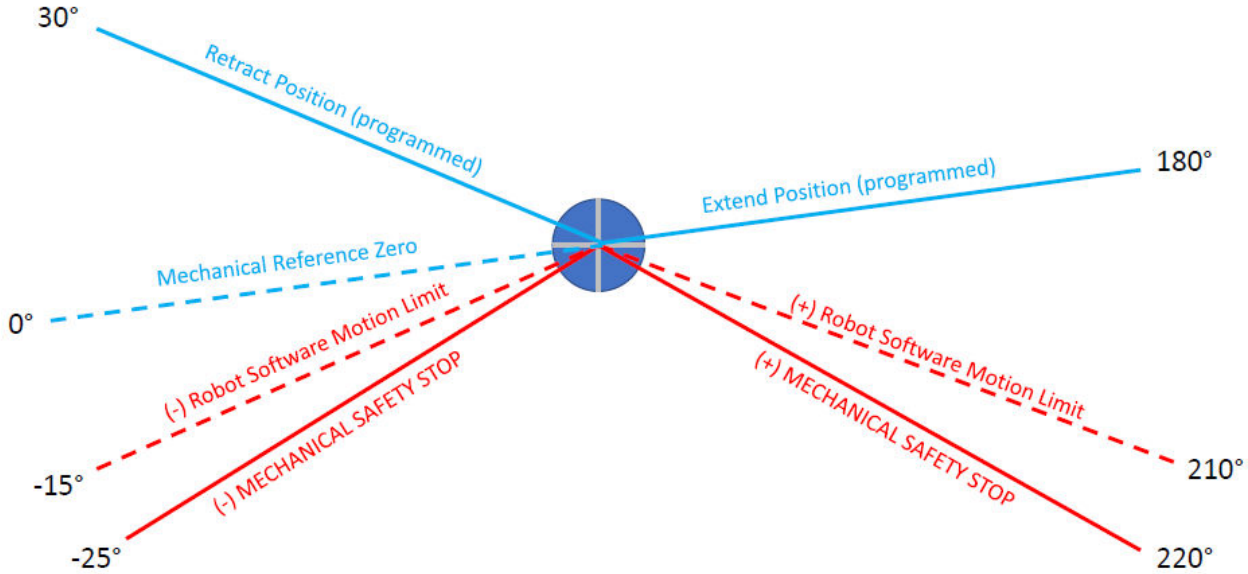
# UNIVER Servo Pivot Integrated Manual override feature.



**UNIVER**<sup>®</sup>  
[www.univer-group.com](http://www.univer-group.com)

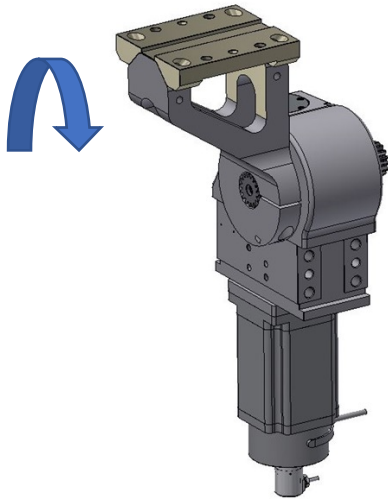
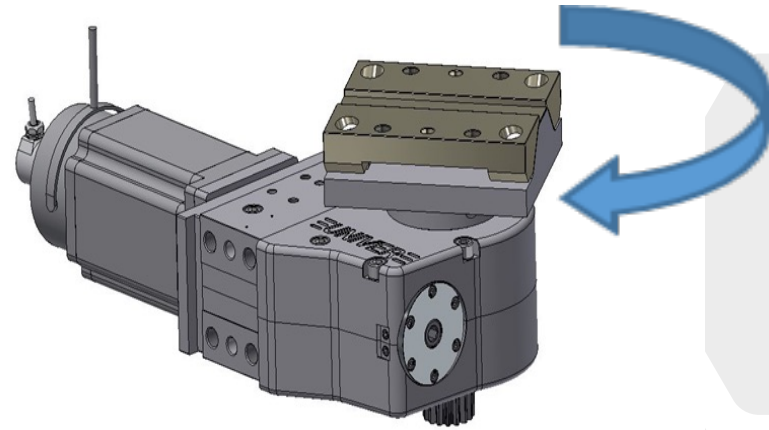


Kawasaki/Univer  
Servo Pivot  
Example Motion Profile



[www.univer-group.com](http://www.univer-group.com)

- Gear box ratio  $R_r = 81-1$
  - Degrees of pivot rotation per 1 motor rotation  $4.44^\circ$
  - 360-degree capability
- Recommended Speed  $0^\circ-135^\circ = 3$  seconds



# 350 Nm

- UEP servo pivot can handle all Ford body shop Pedestal Tip Dress applications .

