

Flexible Smart Gripper™

FSG-2, FSG-4, FSG-2e, and FSG-4e

The Flexible Smart Gripper™ (FSG) is a fully electrically actuated gripper with flexible, soft bodied fingers for handling objects of varying size, shape, and weight.

Advantages:

- Fully electric
- Programmable Open/Close Finger Position settings
- Patented, FDA compliant silicone fingers
 - Allows for soft, flexible gripping of delicate objects
 - Flexible in gripping direction and rigid in all other degrees of freedom
- Enhanced Intelligence version
 - Part Confirmation
 - Force Control
- Compatible with collaborative robots



SPECIFICATIONS

Model	Number of Fingers	Rated Payload	Gripper Weight	Maximum Finger Opening at the Tip	Open/Close Speed	Maximum Current (Idle)	Maximum Current (Load)	Maximum Current (Instantaneous)
		kg (lb)	kg (lb)	mm(in)	mm/s (in/s)	A	A	A
FSG-2	2	1.5 (3.3)	0.8 (1.8)	175 (6.9)	1450 (57)	0.03	2	3
FSG-4	4	1.5 (3.3)	1.3 (2.9)	195 (7.7)	1450 (57)	0.08	3	5
FSG-2e	2	1.5 (3.3)	0.8 (1.8)	175 (6.9)	1450 (57)	0.03	2	3
FSG-4e	4	1.5 (3.3)	1.3 (2.9)	195 (7.7)	1450 (57)	0.08	3	5

Rated Voltage: 15 VDC – 25 VDC

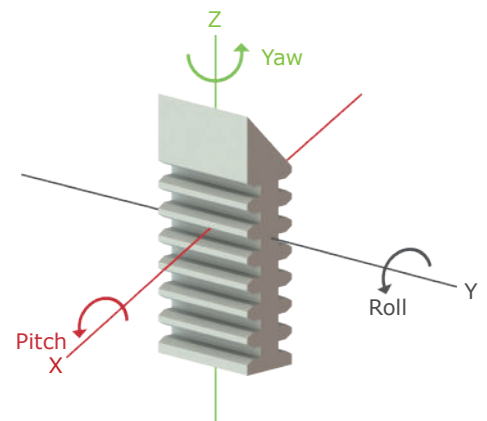
Operating Temperature: 5 - 60 °C (40 - 140 °F)

Noise Emissions (Sound Pressure): ≤ 70 dB(A) in any direction

PATENTED FLEXIBLE FINGER

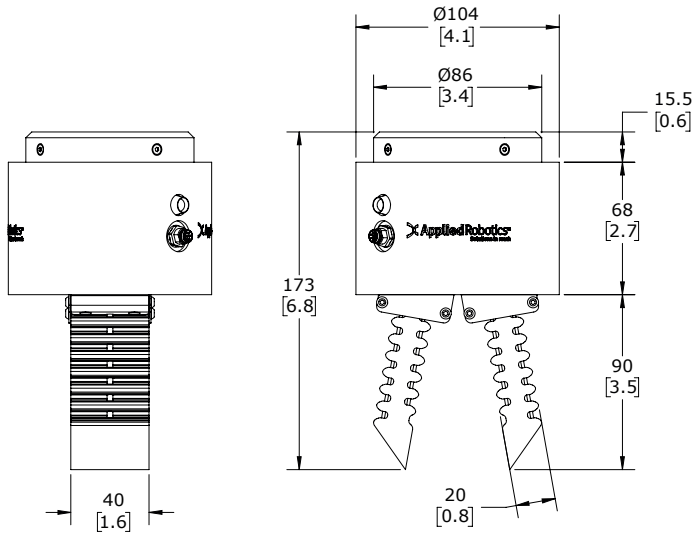


The Flexible Smart Gripper™ (FSG) allows for the picking and placing of a multitude of shapes and sizes due to its patented, FDA compliant silicone fingers, actuated by a fully electric system. The ability to rotate in the Roll degree of freedom, while keeping rigid in the Pitch and the Yaw degrees of freedom, allows for dependable, soft, and flexible gripping of delicate objects.

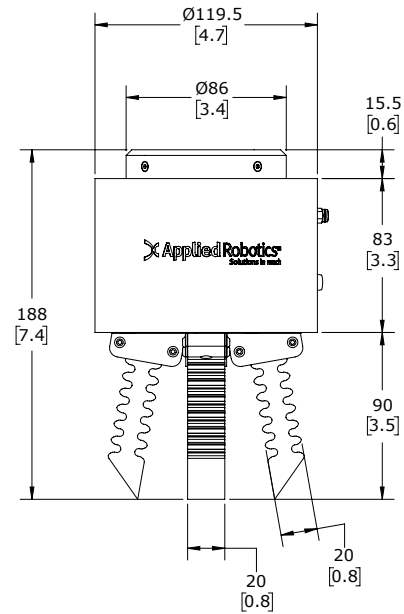


PRODUCT INFORMATION

FSG-2 / FSG-2e



FSG-4 / FSG-4e



* Dimensions are in millimeters (inches).

ENHANCED INTELLIGENCE VERSION



The Enhanced Intelligence version of the FSG provides additional finger positions for grip precision and efficiency, as well as force control, allowing the user to reliably handle delicate objects.

The FSG can be easily programmed through a simple user interface that can be accessed with any Wi-Fi enabled device.



Finger Positions	
Position 1 (00) = 0	Position 2 (01) = 2
Position 3 (10) = -3	Position 4 (11) = 6
Force Control	
Part Confirmation: 400 mA	Force Limitation: 1500 mA
[Set Values]	
Finger Calibration	
Finger 1: [<] [>]	Finger 2: [<] [>]



Applied Robotics, Inc.
 648 Saratoga Road, Glenville, NY 12302 USA
 Tel: +1 518 384 1000
www.appliedrobotics.com
info@appliedrobotics.com

